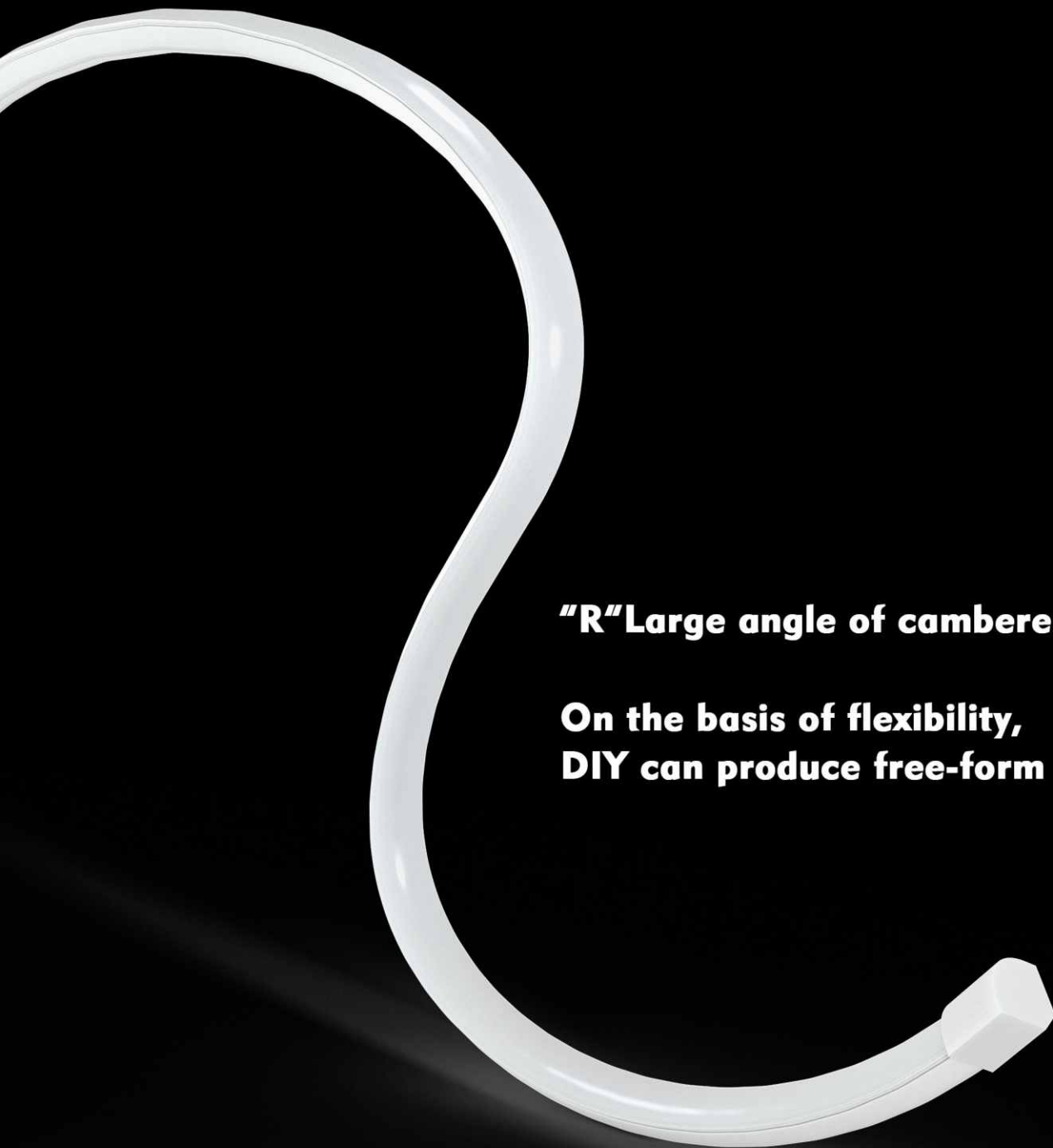


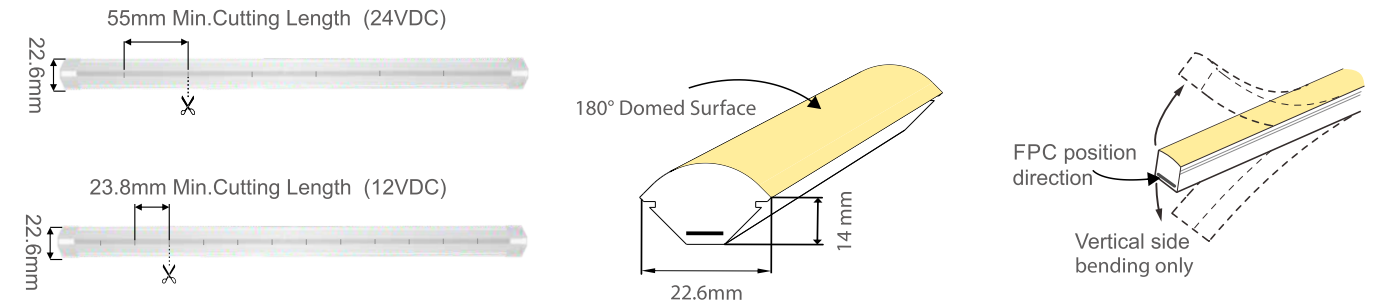
LED Flexible Neon Strip Light 1717R



"R" Large angle of cambered surface

On the basis of flexibility, DIY can produce free-form "light"

physical specifications



specifications parameter

IP65 CE

Model	XK1717 SERIES
Input voltage	24/12VDC
Power (lm/W)	11W/10W
Lumens (lm/m)	>450lm
CCT/Color	R B G A O P WW NW CW
CRI	>70; >80; >90;
FPC light direction	Vertical
LED type	SMD 2835
LED Qty/m	126LEDs
Min.cutting unit	7LEDs/3LEDs
Size	W8*H12mm
Working temperature	-20℃~60℃

Light distribution curve

